

## Gimmick 326 Marker Stand

### What to buy:

qty	Description	Pc Cost	Total
5	1/2 diameter Tee (schedule 40)	\$0.16 ea	\$0.80
1	1/2" dia (inner dia) white PVC pipe x 5' long	\$0.98 ea	\$0.98
1	1" x 1" x 1/2" Tee	\$0.50 ea	\$0.50
1	1/2" inr diameter x 6' long foam (pipe insulator) (watch that you don't get the 3/4" dia foam)	\$0.98 ea	<u>\$0.98</u>
			\$3.26
			(@ Lowes)

### Instructions:

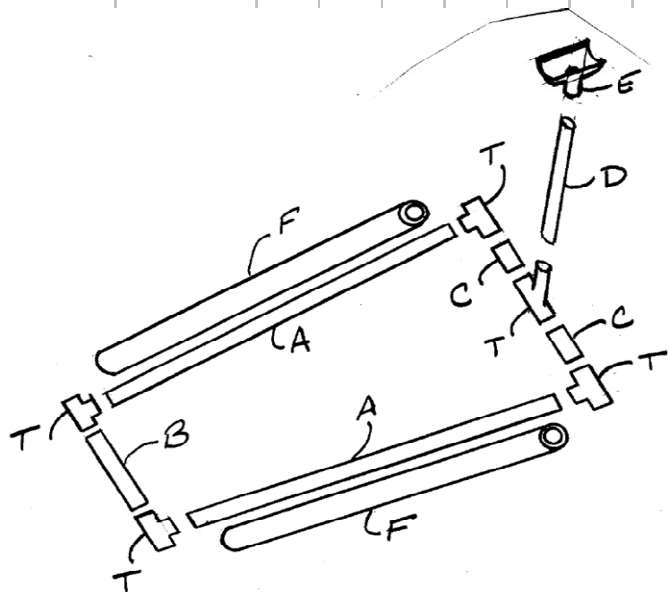
- 1 Cut all parts to length as shown in the BOM.
- 2 Cut the 1" x 1" x 1/2" Tee to remove the top half of the tube.
- 3 Install (no glue req'd) parts A, B, C and T's together as shown. The assembly should lay flat when done.
- 4 Install D into the middle T and rotate 90 degrees to the rest of the assembly.
- 5 Push on E to D.
- 6 Install the foam (F) over the A PVC pieces.

### Bill of Material (BOM):

- A 1/2" dia pvc pipe, 21-1/2" long.
- B 1/2" dia pvc pipe, 3" long.
- C 1/2" dia pvc pipe, 1" long.
- D 1/2" dia pvc pipe, length must be tuned to your marker (~10"-12" long).
- E 1" x 1" x 1/2" dia tee (I cut the 1" dia portion in half to lay my barrel on it rather than have to insert the barrel into the tube).
- F 1/2" inner dia foam, 20-1/4" long.
- T 1/2" dia tee.

### Notes:

- a. Build to these plans and we can connect all the marker stands together.
- b. The end with B should be narrower (it's not an error) than the end with Cs. This insures the proper air tank engagement and marker stability.
- c. In tuning the length of D, the goal is to get the paintball marker barrel to lay flat in the trough of E.
- d. Optional - cut 2 pcs, 1-3/4" long of the 1/2" dia pvc pipe. These are used to connect one stand to another.



"Gimmick 326" Paintball Marker Stand.  
Copyright © 2003 TANGO Paintball Club. All rights reserved.